



BM Containers

ISO 9001:2008

Area of use:

Intended for collection and sorting of different types of heavy wastes: construction wastes, metal scraps.

Technical specification:

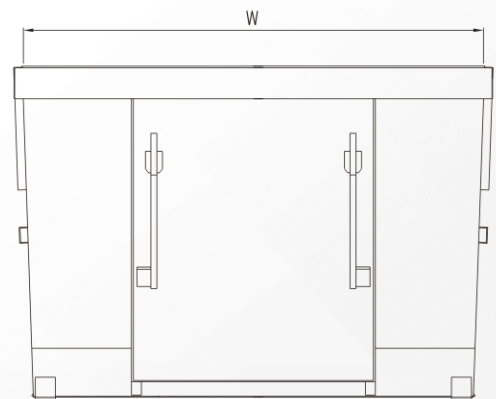
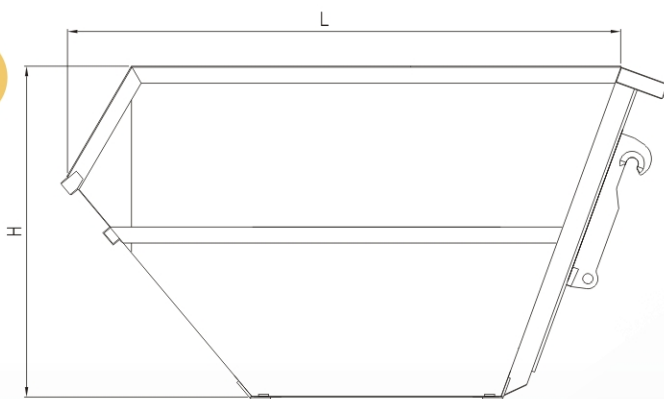
- capacity: 3-14m³,
- thickness of steel sheets bottom: 4mm,
- thickness of steel sheets side walls: 3mm,
- Volvo BM loading system.

Special Options:

- other dimensions on request,
- steel lids,
- special paint.



▲ MBM-3



Type AMG	Capacity	Dimensions L W H [mm]	Steel thickness
MBM-3	3	2470x1970x1210	3/4
MBM-5	5	1980x2500x1420	3/4
MBM-8	8	3180x2300x1650	3/4
MBM-10	10	3330x2540x1800	3/4
MBM-14	14	3650x2950x2000	3/4